

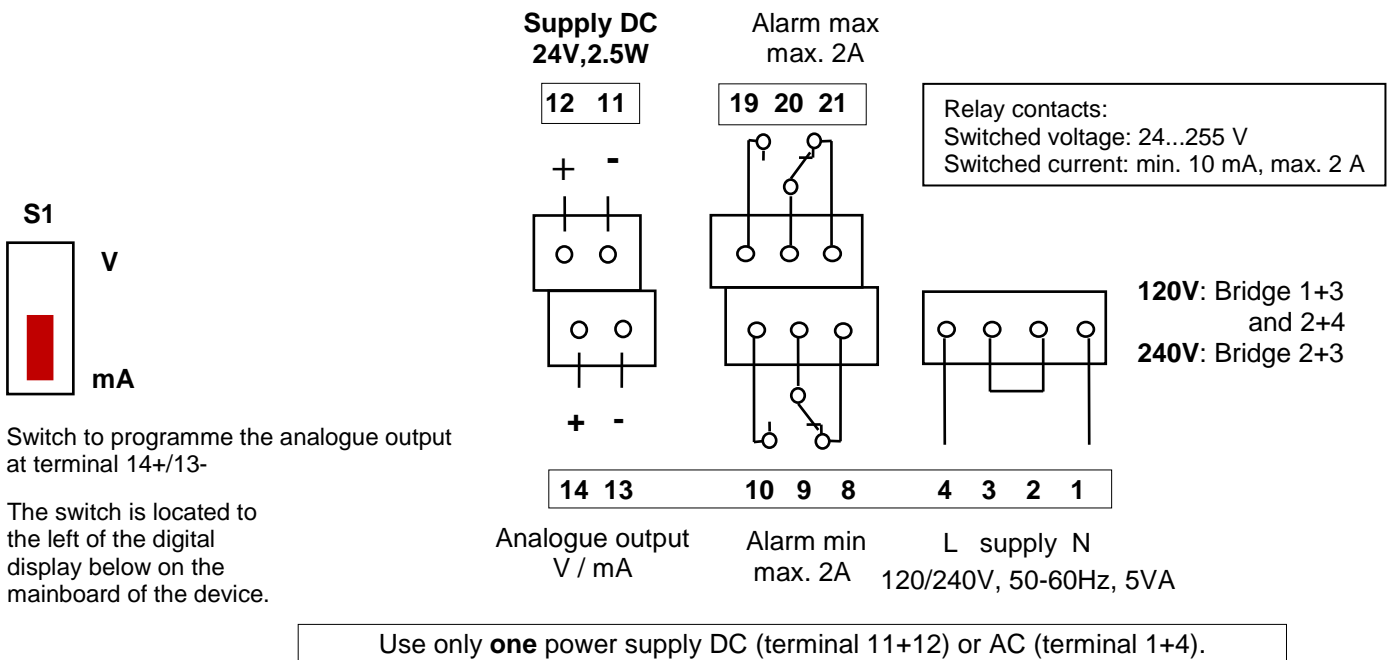
## $\Delta p$ – FILTER – CONTROL DPD\*

### Wiring diagram:

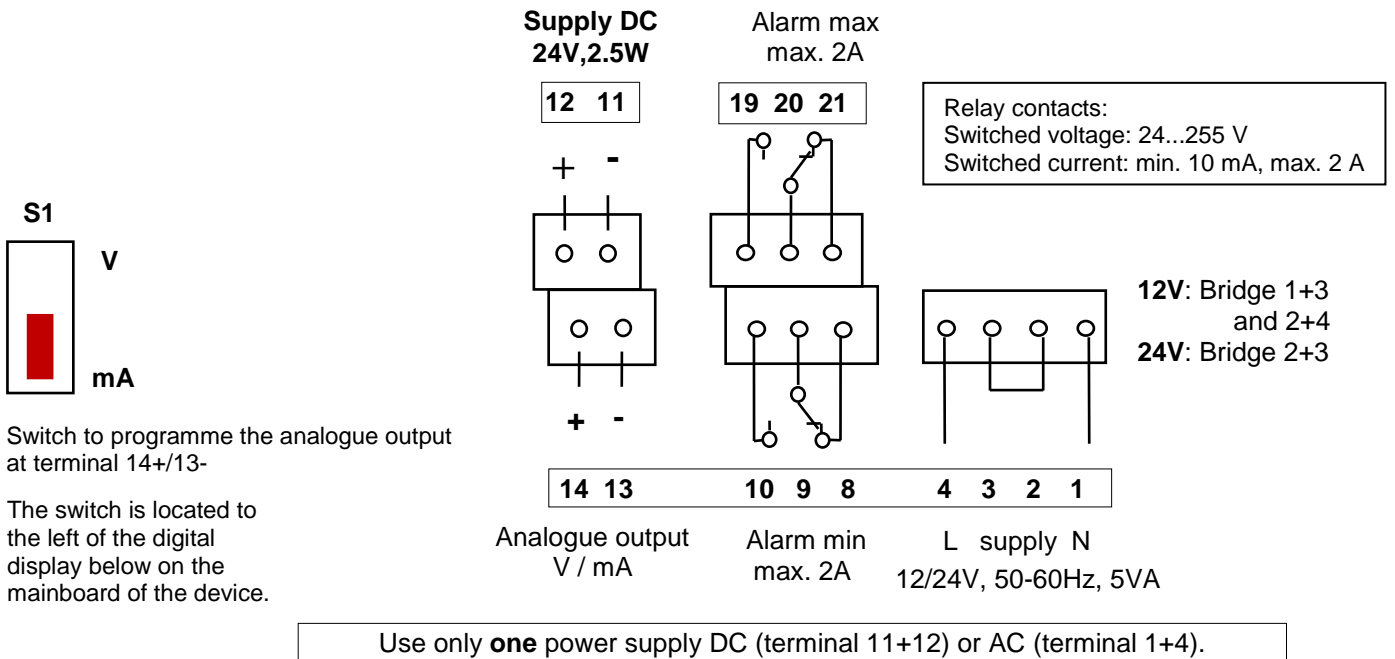


### 1. Wiring diagram:

#### 1.1 Supply 110-120/230-240 V, 50-60 Hz and 24 VDC:



**1.2 Supply 12/24 V, 50-60 Hz and 24 VDC:**



**1.3 Supply voltage / signal output:**

The nominal supply voltage and the admissible tolerance as well as the admissible load/burden for the analogue output and the admissible applied load of the switching outputs is stated in the data sheet.