

# REMOTE-INDICATION FMA\*

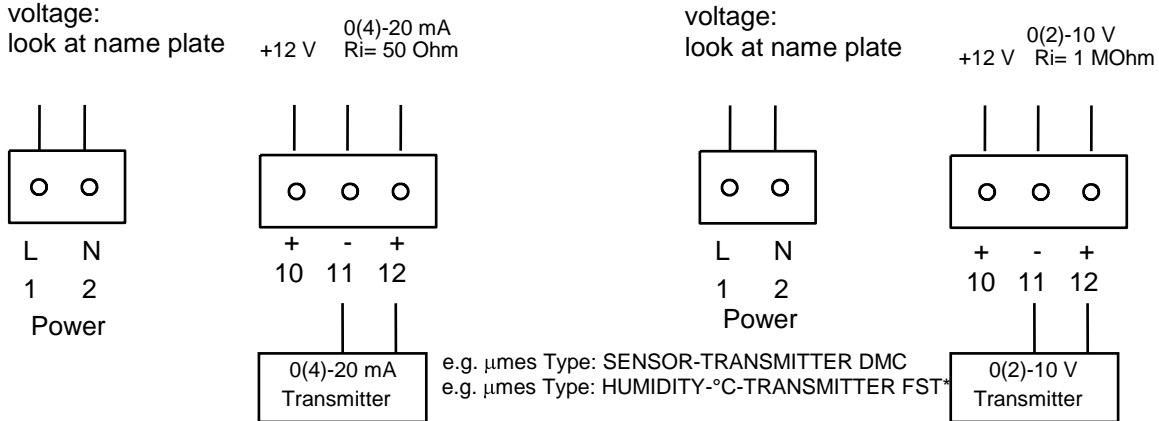
Z 0404321\_005\_FMA\_GB, subject to change, date 06.03.2014

## 1. Electrical connection:

Mains connection: The power input is NOT protected by a fuse. A fuse must be added externally: 90...240 V: F 100 mA, 24 V: T 63 mA.

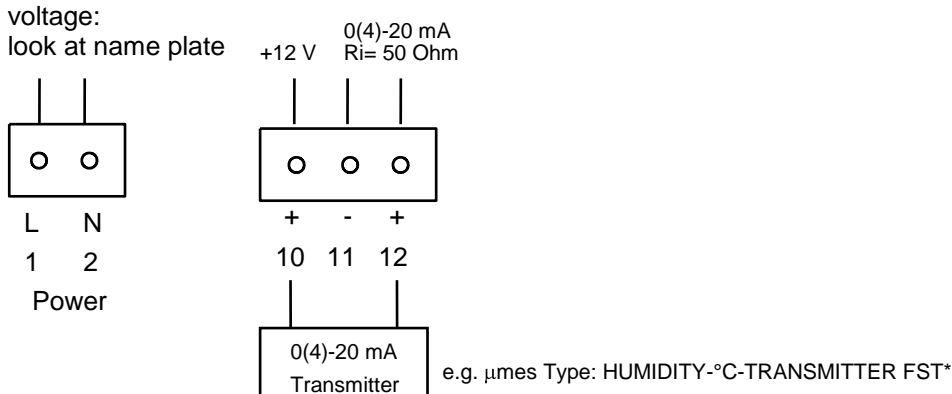
### 1.1 Connection of an active transmitter

e.g. all 3-wire and 4-wire transmitters with analogue output 0(4)-20 mA or 0(2)-10 V



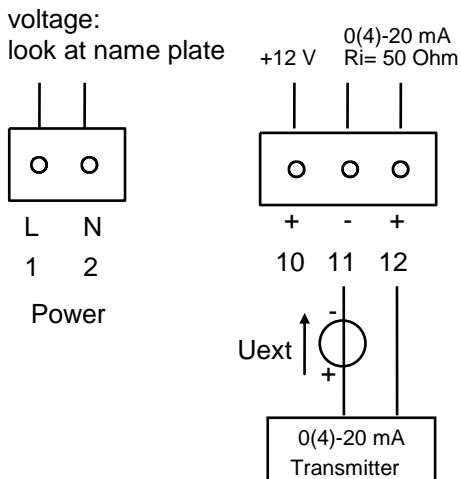
### 1.2 Connection of a passive transmitter

The REMOTE-INDICATION FMA can supply external passive transmitters. Therefore 12 V power is available at terminal 10. The connected passive transmitter must work with a minimal supply voltage of 12 V. If the transmitter needs a higher voltage to work, e.g 24 V, then an external power supply must be connected (have a look at 1.3).



### 1.3 Connection of a passive transmitter and external power supply

If the connected transmitter needs a minimal supply voltage > 12 V, then an external power supply e.g. with  $U_{ext} = 24V$  must be connected.



**MIKRO-MESS-GMBH**

D - 31275 Lehrte,

Phone: ++49 (0)5136 880 990 8,

Internet: [www.mikro-mess.de](http://www.mikro-mess.de)

Am Südende 15 - Steinwedel

FAX: ++49 (0)5136 880 990 0

eMail: [info@mikro-mess.de](mailto:info@mikro-mess.de)