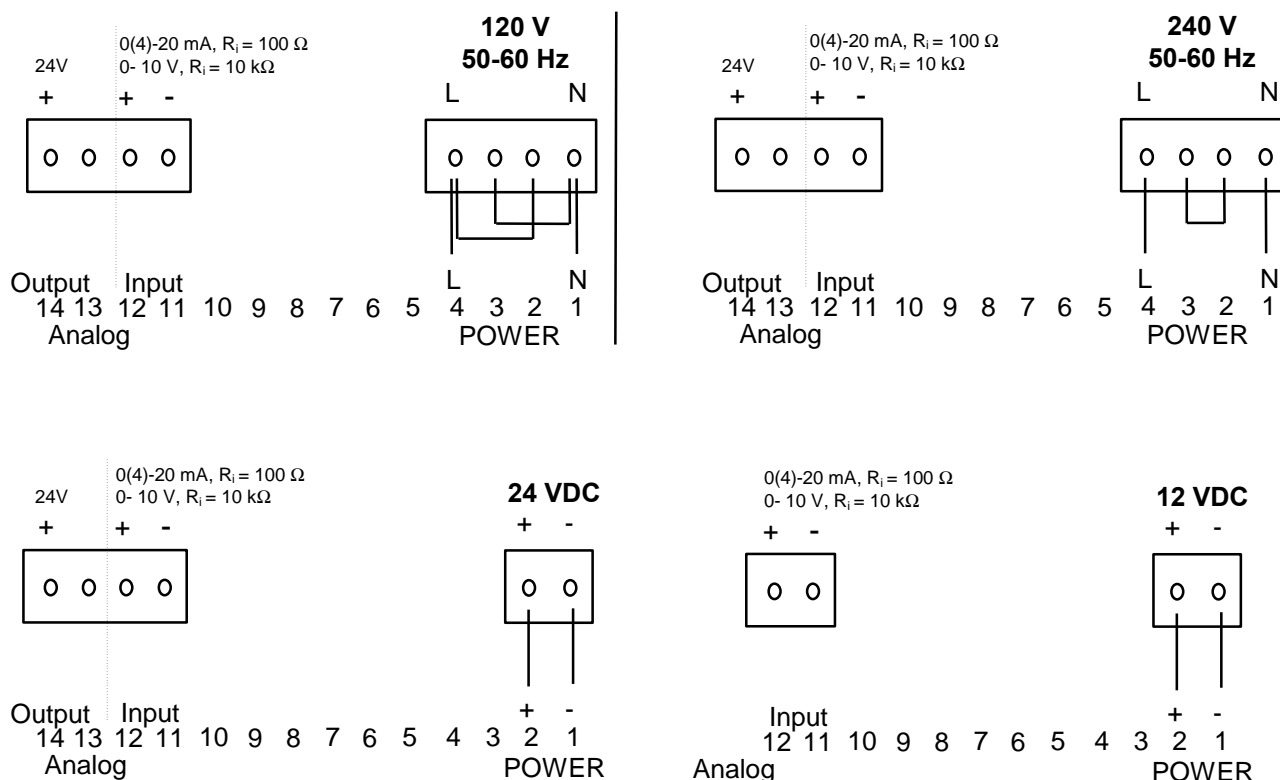


REMOTE-INDICATION DMA*

Z0095221_004_DMA_GB, subject to change, valid as of device number ≥ 102986

1. Electric connection diagram:



Transmitter connection: Δp pressure μmes types: **DMQ*** and **DPQ***:

Connect the + Pol of the transmitter terminal 14 at DMA* terminal 12 (+).
Connect the - Pol of the transmitter terminal 11 at DMA* terminal 11 (-).

Transmitter connection: Δp pressure μmes type: **DMC***:

Connect the + Pol of the transmitter terminal 12 at DMA* terminal 12 (+).
Connect the - Pol of the transmitter terminal 14 at DMA* terminal 11 (-).

Transmitteranschluß: r.H. Humidity μmes Typ: **FST***, °C temperature e.g.:

- 2-wire** : Connect the + Pol of the transmitter at DMA* terminal 14 (+ 24 V-).
Connect the - Pol of the transmitter at DMA* terminal 12 ! (+ 4-20mA).
- 3-wire** : Connect the + Pol of the transmitter at DMA* terminal 14 (+ 24 V-).
Connect the - Pol of the transmitter at DMA* terminal 11 (- 24 V-).
Connect the output signal of the transmitter at DMA* terminal 12 (+ 4-20mA)

Please notice that a measurement with an external instrument at the screw-head-terminals can only be carried out correctly if the screws are completely tightened. Otherwise the contact will not be sufficient and the display will not show the correct data.

2. Mounting instructions:

4 borings in the back panel of the housing $D = 4.2$ mm, Height = 88 x width = 148 mm.

MIKRO-MESS-GMBH

D - 31275 Lehrte,

Phone: ++49 (0)5136 880 990 8,
Internet: www.mikro-mess.de

Am Südende 15 - Steinwedel

FAX: ++49 (0)5136 880 990 0
eMail: info@mikro-mess.de