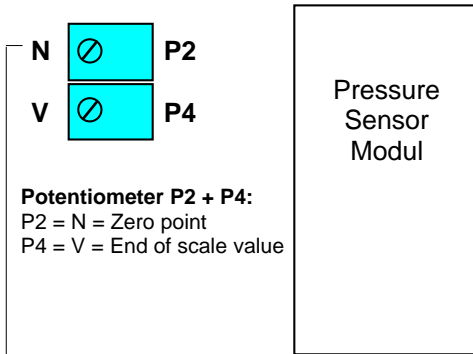


1. Service instructions:



S2 = Damping Δp-D, 1s til 30 s

ON	S2-7	S2-8	Δp-D
ON	ON	ON	1s
ON			10s
		ON	20s
OFF			30s

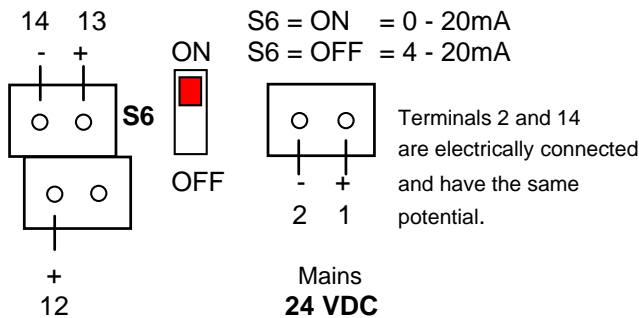
LED D5, green
 POWER ON

When using a Δp-SENSOR-TRANSMITTER with a range of ≤ 20 mbar, please consider the following:

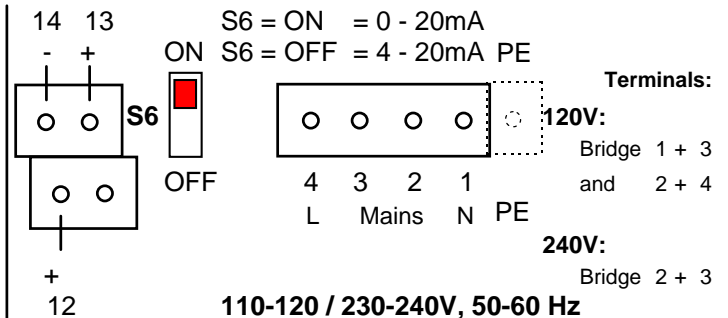
Pot. N = zero point. If the appliance has been transported and / or mounted not vertically (gravity influence on the sensor membrane), please adjust the zero point with P2 as soon as the operating temperature has been reached. Please make sure that the damping-switches S2-7 and S2-8 are in position ON = 1s, during the adjustment. With the **DIP-Switch S6**, on the right-hand side of terminal 13, the analogue output at terminal 12 can be changed from 0-20 mA, S6 = ON to 4-20 mA, S6 = OFF.

2. Electric connection diagram:

2.1 DMC-1*- 24 - DC



2.2 DMC-1*- 120 / 240 - AC



Analogue outputs:

- 0-10 V** = load ≥ 5 kΩ, terminal 14- (or terminal 2- only for 24 VDC) and terminal 13+, S6 = ON or OFF
- 0-20 mA** = load ≤ 500 Ω, terminal 14- (or terminal 2- only for 24 VDC) and terminal 12+, S6 = ON.
- 4-20 mA** = load ≤ 500 Ω, terminal 14- (or terminal 2- only for 24 VDC) and terminal 12+, S6 = OFF.

Please notice that a measurement with an external instrument at the screw-head-terminals can only be carried out correctly, if the screws are completely tightened. Otherwise the contact will not be sufficient and the instrument does not display the correct data.

3. Mounting instructions:

4 borings in the back panel of the aluminium enclosure D = 6,5 mm, height = 110 mm x width = 140 mm. Please mount the back panel vertically. Inside in the aluminium enclosure there is a screw for grounding the unit. Outside of the enclosure there is a grounding-screw too, for connecting the enclosure with a potential equalization system, if necessary by locally installation standards. If the pressure-vacuum-measurement-tubes could get dirty, please install our PIPE-CLEANER PPC*.

For enclosures placed outdoors, the unit requires a roof as a protection against weather and sun influences. Direct sunshine can cause an extreme rise of the temperature inside of the unit and thus interferences. The explosion protection is not assured! Do not mount the housings at filter wals which are vibrating. Apart from that, the unit mustn't be exposed to vibrations.

Attention ! with pressure connectors : In order to tighten or remove the nuts of the pressure connections, please use an open-jawed spanner 12 mm. The screwed connection at the appliance must in this case be fixed with a 13 mm spanner to avoid torsion. Otherwise, the appliance could be damaged. The pressure connectors are mounted with integrated stainless-steel filterelements. These elements have to inspected sometimes or must be replaced.

MIKRO-MESS-GMBH

D - 31275 Lehrte,

Phone: ++49 (0)5136 880 990 8,
 Internet: www.mikro-mess.de

Am Südende 15 - Steinwedel

FAX: ++49 (0)5136 880 990 0

E-Mail: info@mikro-mess.de